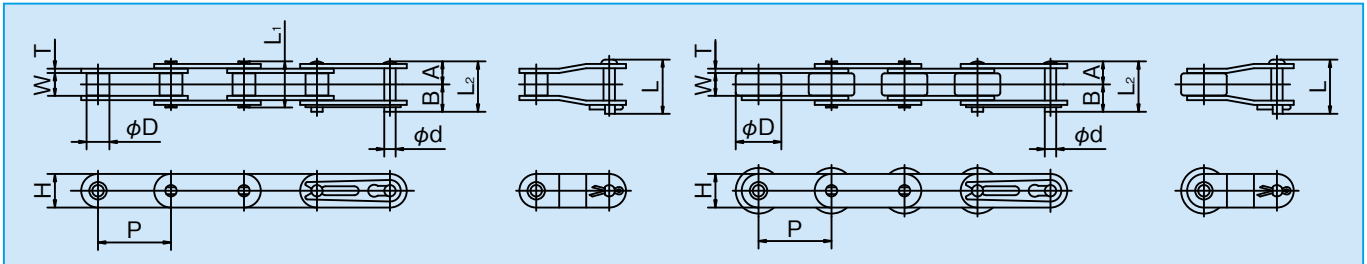


The KCM lubrication-free chain uses special oil-impregnated bushing for self-lubrication, achieving maintenance-free.

Use this chain when no lubrication is required or difficult lubrication in process is expected.

- Nickel-plated chain and chains associated with various attachments are available.
- Recommended chain speed: 150m/min or slower
- Ordinary operating temperature range of -10°C to +150°C

NL Double-Pitch Roller Chain



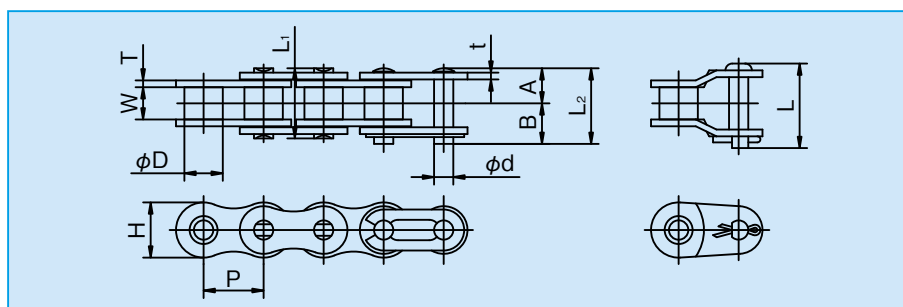
○ Dimensions

[Unit: mm]

| KCM Chain No. | Pitch P | Width between Inner Plates W | Roller Dia. D | Pin | | | | | | Link Plate | | | Ave. Tensile Strength kN (kgf) | Max. Allowable Load kN (kgf) | Approx. Weight (kg/m) | Links of 1 unit |
|------------------------------|---------|------------------------------|----------------|--------|-------|-------|----------------|----------------|-------|-------------|-------------|----------|--------------------------------|------------------------------|-----------------------|-----------------|
| | | | | Dia. d | A | B | L ₁ | L ₂ | L | Thickness T | Thickness t | Height H | | | | |
| KCM C2040 NL KCM C2042 NL | 25.40 | 7.95 | 7.92 15.88 | 3.97 | 8.02 | 9.53 | 16.05 | 17.55 | 18.95 | 1.5 | 1.5 | 11.7 | 15.7(1,600) | 2.65(270) | 0.49 0.77 | 120 |
| KCM C2050 NL KCM C2052 NL | 31.75 | 9.53 | 10.16 19.05 | 5.09 | 10.15 | 11.60 | 20.30 | 21.75 | 23.00 | 2.0 | 2.0 | 14.6 | 25.5(2,600) | 4.31(440) | 0.80 1.21 | 96 |
| KCM C2060 NL KCM C2062 NL | 38.10 | 12.70 | 11.91 22.23 | 5.96 | 14.25 | 15.75 | 28.50 | 30.00 | 32.65 | 3.2 | 3.2 | 17.5 | 37.3(3,800) | 6.28(640) | 1.18 1.76 | 80 |
| KCM C2080 NL KCM C2082 NL | 50.80 | 15.88 | 15.88 28.58 | 7.94 | 17.70 | 20.80 | 35.40 | 38.50 | 40.15 | 4.0 | 4.0 | 23.0 | 63.7(6,500) | 10.7 (1,090) | 2.00 3.04 | 60 |

NOTES: - Connecting links of 2080NL are of split pin type.
- R-rollers can be replaced with plastic ones.

NL Roller Chain



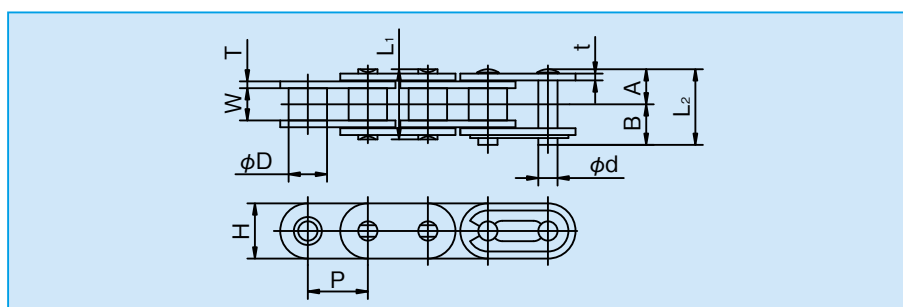
○ Dimensions

[Unit: mm]

| KCM Chain No. | Pitch P | Width between Inner Plates W | Roller Dia. D | Pin | | | | | | Link Plate | | | Ave. Tensile Strength kN (kgf) | Max. Allowable Load kN (kgf) | Approx. Weight (kg/m) | Links of 1 unit |
|---------------|---------|------------------------------|---------------|--------|-------|-------|----------------|----------------|-------|-------------|-------------|----------|--------------------------------|------------------------------|-----------------------|-----------------|
| | | | | Dia. d | A | B | L ₁ | L ₂ | L | Thickness T | Thickness t | Height H | | | | |
| KCM C40 NL | 12.70 | 7.95 | 7.92 | 3.97 | 8.02 | 9.53 | 16.05 | 17.55 | 18.95 | 1.5 | 1.5 | 11.7 | 15.7(1,600) | 2.65(270) | 0.63 | 240 |
| KCM C50 NL | 15.875 | 9.53 | 10.16 | 5.09 | 10.15 | 11.60 | 20.30 | 21.75 | 23.00 | 2.0 | 2.0 | 14.6 | 25.5(2,600) | 4.31(440) | 1.03 | 192 |
| KCM C60 NL | 19.05 | 12.70 | 11.91 | 5.96 | 12.65 | 14.15 | 25.30 | 26.80 | 29.45 | 2.4 | 2.4 | 17.5 | 37.3(3,800) | 6.28(640) | 1.51 | 160 |
| KCM C80 NL | 25.40 | 15.88 | 15.88 | 7.94 | 16.07 | 19.20 | 32.15 | 35.25 | 36.90 | 3.2 | 3.2 | 23.0 | 63.7(6,500) | 10.69(1,090) | 2.56 | 120 |

NOTE: Connecting links of C80NL are of split pin type.

NL Oval Roller Chain



○ Dimensions

[Unit: mm]

| KCM Chain No. | Pitch P | Width between Inner Plates W | Roller Dia. D | Pin | | | | | | Link Plate | | | Ave. Tensile Strength kN (kgf) | Max. Allowable Load kN (kgf) | Approx. Weight (kg/m) | Links of 1 unit |
|---------------|---------|------------------------------|---------------|--------|-------|-------|----------------|----------------|-------|-------------|-------------|----------|--------------------------------|------------------------------|-----------------------|-----------------|
| | | | | Dia. d | A | B | L ₁ | L ₂ | L | Thickness T | Thickness t | Height H | | | | |
| KCM C40 FNL | 12.70 | 7.95 | 7.92 | 3.97 | 8.02 | 9.53 | 16.05 | 17.55 | 18.95 | 1.5 | 1.5 | 12.0 | 15.7(1,600) | 2.65(270) | 0.72 | 240 |
| KCM C50 FNL | 15.875 | 9.53 | 10.16 | 5.09 | 10.15 | 11.60 | 20.30 | 21.75 | 23.00 | 2.0 | 2.0 | 14.6 | 25.5(2,600) | 4.31(440) | 1.16 | 192 |
| KCM C60 FNL | 19.05 | 12.70 | 11.91 | 5.96 | 12.65 | 14.15 | 25.30 | 26.80 | 29.45 | 2.4 | 2.4 | 17.5 | 37.3(3,800) | 6.28(640) | 1.70 | 160 |
| KCM C80 FNL | 25.40 | 15.88 | 15.88 | 7.94 | 16.07 | 19.20 | 32.15 | 35.25 | 36.90 | 3.2 | 3.2 | 23.0 | 63.7(6,500) | 10.69(1,090) | 2.88 | 120 |

NOTE: Connecting links of C80FNL are of split pin type.