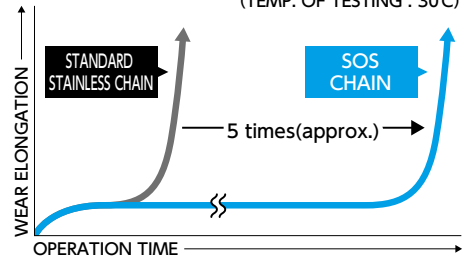


1. Lube-free. This eliminates contamination of oil from additional lubrication and contributes to a cleaner workplace. (\*1) (\*2)
2. Using lubricant NSF-H1 registration (which is possible to use in the place may touch foods accidentally), no problem for using for the food machines. Also produce SOS chain with bushes impregnated industrial lubricant.
3. Compatible with standard roller chains, and the installation of the standard attachment is possible.
4. Single and also multiple strand chain can use standard sprockets.
5. Available from low to high temperature (-20°C to +400°C) environment. (\*3)

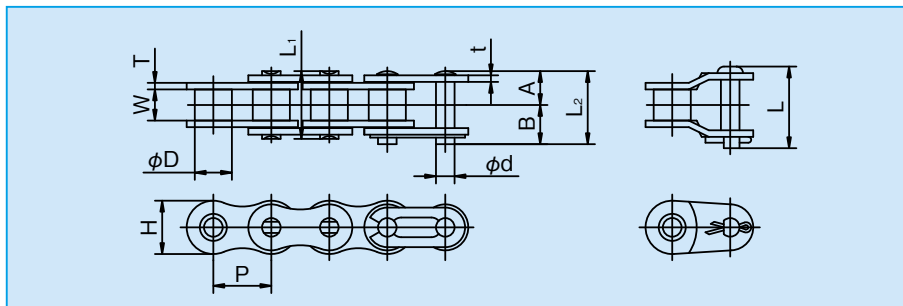
Note : \*1. Please lubricate your chain before use, except when chains are to be used submerged in or in contact with water.  
 : \*2. Do not use under complete oil-free condition.  
 : \*3. It is better to use between -10°C to +150°C for oil impregnated bushes performance.

※Dust in the bush accelerates wear. Wet or high temperature environments can cause the oil in the oil-impregnated bush to leak, decreasing wear resistance.

COMPARISON OF WEAR ELONGATION BY OPERATION TIME  
 (TEMP. OF TESTING : 30°C)



## LUBRICATION FREE STAINLESS STEEL CHAINS

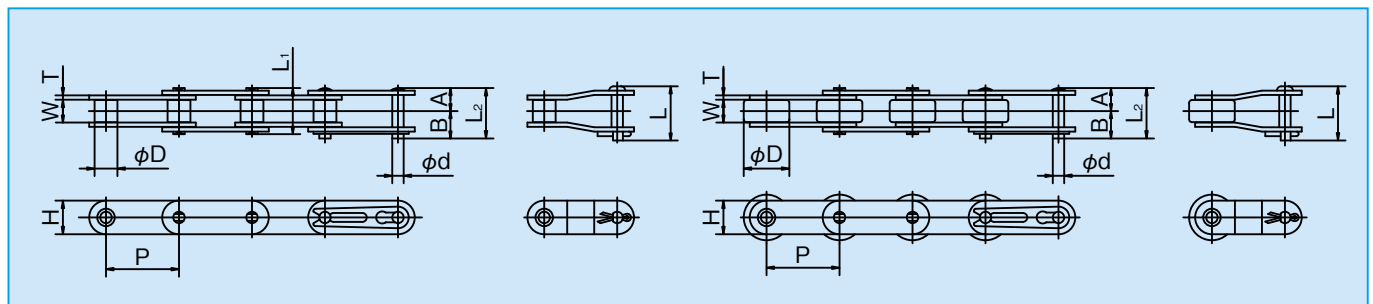


○ Dimensions

[Unit: mm]

KCM Chain No.	Pitch P	Width between Inner Plates W	Roller Dia. D	Pin						Link Plate			Max. Allowable Load kN (kgf)	Approx. Weight (kg/m)	Links of 1 unit
				Dia. d	A	B	L <sub>1</sub>	L <sub>2</sub>	L	Thickness T	Thickness t	Height H			
<b>C40 SOS</b>	12.70	7.95	7.92	3.97	8.07	9.58	16.15	17.65	19.05	1.5	1.5	11.7	0.44 ( 45)	0.63	240
<b>C50 SOS</b>	15.875	9.53	10.16	5.09	10.20	11.60	20.40	21.80	23.05	2.0	2.0	14.6	0.69 ( 70)	1.04	192
<b>C60 SOS</b>	19.05	12.70	11.91	5.96	12.70	14.20	25.40	26.90	29.55	2.4	2.4	17.5	1.03 (105)	1.50	160
<b>C80 SOS</b>	25.40	15.88	15.88	7.94	16.15	19.25	32.30	35.40	37.10	3.2	3.2	23.0	1.77 (180)	2.62	120

## LUBRICATION FREE STAINLESS STEEL DOUBLE PITCH CHAINS



○ Dimensions

[Unit: mm]

KCM Chain No.	Pitch P	Width between Inner Plates W	Roller Dia. D	Pin						Link Plate			Max. Allowable Load kN (kgf)	Approx. Weight (kg/m)	Links of 1 unit
				Dia. d	A	B	L <sub>1</sub>	L <sub>2</sub>	L	Thickness T	Thickness t	Height H			
<b>C2040 SOS</b>	25.40	7.95	7.92	3.97	8.07	9.58	16.15	17.65	19.05	1.5	1.5	11.7	0.44 ( 45)	0.49	120
<b>C2042 SOS</b>			15.88						19.05						
<b>C2050 SOS</b>	31.75	9.53	10.16	5.09	10.20	11.60	20.40	21.80	23.05	2.0	2.0	14.6	0.69 ( 70)	0.83	96
<b>C2052 SOS</b>			19.05						23.05						
<b>C2060 SOS</b>	38.10	12.70	11.91	5.96	14.35	15.85	28.70	30.20	32.85	3.2	3.2	17.5	1.03 (105)	1.46	80
<b>C2062 SOS</b>			22.23						32.85						
<b>C2080 SOS</b>	50.80	15.88	15.88	7.94	17.80	20.90	35.60	38.70	40.40	4.0	4.0	23.0	1.77 (180)	2.44	60
<b>C2082 SOS</b>			28.58						40.40						

Note : The materials of R roller can be replaced to resin roller.